



ACM-3011

IP Fixed Dome Camera with Varifocal Lens

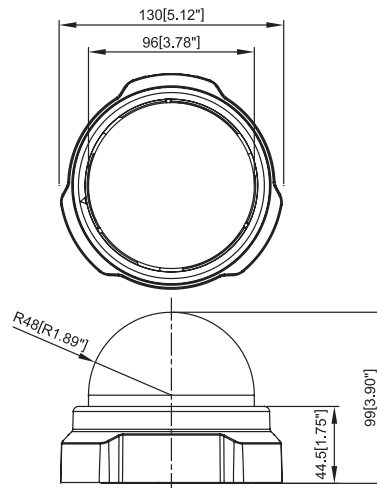


- 1/3" Micron Progressive Scan CMOS
- Day and night function with Mechanical IR Cut Filter
- Integrated f3.3~12 mm / F1.6 varifocal lens
- 0 Lux (IR LED ON)
- Selectable MPEG-4 SP / MJPEG compression
- VGA resolution at 30 FPS
- Multi-stream with variable frame rate in the same compression
- Shutter Speed, White Balance, Exposure, Gain Controls supported
- Two-way audio supported
- Hardware motion detection
- DC 12V or Power over Ethernet (IEEE 802.3af) supported
- Surface / Pendant / Wall / Corner / Pole / Flush mount supported



- 1 Audio Input / Output
- 2 Reset Button
- 3 DC 12V Power Input
- 4 Ethernet Port

DIMENSION DIAGRAM



Unit: mm [inch]



PRODUCT SPECIFICATION

		ACM-3011
Image	Device	Micron Progressive Scan CMOS
	Size	1/3 inch
	Effective Pixels	640(H) x 480(V)
Min. scene Illumination	Color	Color mode automatically switched to B/W mode under 4 Lux
	B/W	0 Lux (IR LED ON)
	IR Sensitivity	from 700 nm to 1100 nm
	IR LED	IR LED x24 (850 nm)
	CDS Sensor	Yes
Lens	IR Working Distance	10 ~ 20 M (30 IRE)
	Focal Length	f3.3 ~ 12 mm / F1.6
Camera Angle Adjustment	Viewing Angle	75.4° ~ 22.7° (Horizontal)
	X (Panning)	0° ~330°
Synchronization	Y (Tilting)	30° ~90°
	Sync. System	Internal
Day/Night Functions	Mechanical IR Cut Filter	Yes
	Motion Detection	Yes (3 Windows)
Functions	Electronic shutter	1/5 ~ 1/15,000 sec
	Fixed Shutter (Manual)	1/30 ~ 1/1,000 sec. (60Hz); 1/25 ~ 1/1,000 sec. (50Hz)
	Flickerless	1/120 sec. (60Hz); 1/100 sec. (50Hz)
	AGC	Automatic (User defined)
	White Balance	AUTO, INDOOR1, INDOOR2, OUTDOOR1, OUTDOOR2, HOLD CURRENT, MANUAL
S/N Ratio	S/N Ratio	Better than 44 dB
Video Compression	Compression	MPEG-4 SP, MJPEG selectable
	Picture Resolution	VGA (640x480); QVGA (320x240); QQVGA (160 x 112)
	Bit Rate	28 K ~ 3 M bps
	Image Frame Rate	30 fps at VGA resolution
Audio Input	Compression	8kHz, Mono, PCM
	Audio Line Input	Unbalanced, 1.4Vp-p, 1Vrms, terminal block
Audio Output	Compression	8kHz, Mono, PCM
	Audio Line Output	Unbalanced, 1.4Vp-p, 1Vrms, terminal block
External I/O	Reset Button	Factory default
Casing	Mount Types	Surface / Pendant* / Wall* / Corner* / Pole* / Flush*
	Ethernet Port	Ethernet (10/100 Base-T), RJ-45 connector
Network	Protocol	TCP, UDP, HTTP, HTTPS, DHCP, PPPoE, RTP, RTSP, DNS, DDNS, NTP, ICMP, ARP, IGMP, SMTP, FTP, UPnP
	Web Browser	Microsoft Internet Explorer 6.0 or above
Software	SDK	ACTi SDK-10000
	Security	Password protection: configured by the administrator
Operating	Temperature	-10 °C ~ 45 °C (14 °F ~ 112 °F)
Power	Power Requirement	PoE (IEEE802.3af) with Class 3
	Power Consumption	5.0W (DC 12V); 6.8W (PoE)
Physical	Dimensions (ØxH)	130 mm x 99 mm (5.12" x 3.90")
	Weight	380 g (0.84 lb)
Approvals	Certificate	CE, FCC

ACCESSORY OPTIONS

Dome Cover

- Transparent Cover
- Smoke Cover

PDCX-0003
PDCX-0100

Mount Kit

- Mount Kit
- L Type Wall Mount Kit
- Flush Mount Kit
- Gang Box Converter

PMAX-0101
PMAX-0308
PMAX-1006
PMAX-0801

Mounting Configuration*

- Pendant Mount
- Wall Mount
- Corner Mount
- Pole Mount
- Flush Mount

*Sold separately. Please refer to detailed mounting configuration table in the accessory section or Project Planner on ACTi.com