

# RMK-3000

## Rackmount Kit for Wallmount Type Devices



- 19-inch 4U Rackmount Kit
- Better and fast access for installation and maintenance
- Flexible mounting environment
- Minimum setup cost
- Support up to 8 devices

RMK-3000 is a 4U high 19-inch rackmount kit designed for easy access and install for ACTi MPEG-4 IP Surveillance products in wallmount types. The RMK-3000 provides the space efficiency required in applications that need the central management for high volume of ACTi MPEG-4 IP Surveillance devices.

### PRODUCT SPECIFICATION

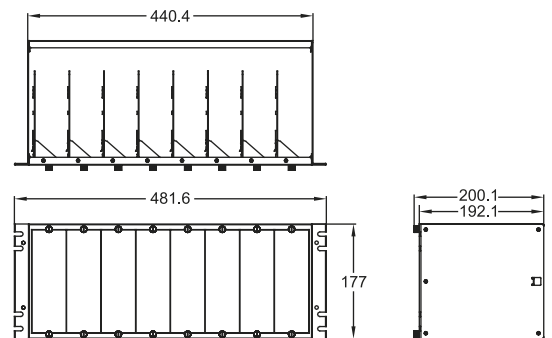
Construction	Heavy-duty steel
Applied Device for RMK-3000	SED-2120 / SED-2140 / ACD-2100 / ACD-2000Q / ACD-3100 / ACD-2200
Max. Number of Device Supported	8
Color	Black
Dimension (W x D x H)	481.6 mm x 200.1 mm x 177 mm (18.9" x 7.9" x 6.97")
Weight	3.5 kg (1.59 lbs)

### ACCESSORY OPTIONS

#### Front-Bezel

- |   |                |
|---|----------------|
| • Front-Bezel for General   | R306-00009-000 |
| • Front-Bezel for SED-2120 / SED-2140 / ACD-2100 / ACD-2000Q / ACD-3100 | R306-00014-000 |
| • Front-Bezel for ACD-2200  | R306-00008-000 |

### DIMENSION DIAGRAM



Unit: mm